



OPERATING & MAINTENANCE MANUAL



**SABRINA, SABRINA-MAXI, SERENA-SILENT & GRACE
CARPET & UPHOLSTERY EXTRACTORS**

**Read Safety & Operating Instructions
Before Commencing Operation**

THESE INSTRUCTIONS MUST BE READ AND ADHERED TO BEFORE OPERATING THIS MACHINE.

INTRODUCTION

Your new Kerrick Upholstery/Carpet cleaning machine is a wise investment. Manufactured in Italy this is a high quality unit that if treated properly will give many years of service. To get the best from your Kerrick machine we suggest you follow the operating and maintenance details contained in this document.

SAFETY MANAGEMENT PROCEDURES

These Instructions must be read and adhered to before operating this machine. Failure to do so may result in injury to the operator, nearby persons, or damage to property, or this machine.

- The packaging around the cleaner (plastic bags, clips, ties etc) pose a choking hazard and should be kept out of the reach of children and animals.
- This machine is not designed to be used by children or mentally disabled individuals and if used incorrectly can be harmful.
- The end of the suction hose / accessories must be kept away from your face and the faces of others at all times during operation as the suction created can cause damage to the eyes, ears and mouth in particular.
- This machine is **NOT** intended for use on animals.
- Do not use adapters or multiple sockets, without knowing the electrical input of each user.
- If any electrical extension is used, check that it corresponds to the absorbed power of the machine and that the connection of the plug with the socket is complying and sealed.
- Take care of the electrical cable. It must be protected from water, tears and chemical agents. Do not repair the cable in case of tears, but replace it with a new one. The cable must be replaced by the manufacturer or its service agent or a similarly qualified person in order to avoid further hazard.
- **DO NOT** pull the cable to drag the machine or to pull the plug out.
- Pull the plug out only when the machine is switched off.
- **DO NOT** handle the plug with wet hands.
- Unplug cable before servicing machine.
- **DO NOT** spray water near electrical outlets.
- **DO NOT** use the machine to spray or to suck corrosive liquids (acids or bases) and explosive or flammable liquids.

- Never use flammable liquids or operate machine in or near flammable liquids, vapors or combustible dusts.
- When using the unit as a wet vacuum cleaner, you must check the level of water in the recovery tank, to ensure it doesn't get to high. If water is sucked into the motor it can cause electrical damage.
- If the chemical you are using produces foam, or if you are cleaning carpet previously treated with shampoo, you must add anti-foaming liquid into the recovery tank. Foam sucked up by unit that gets into the motor can cause damage over the long term.
- Should the machine leak liquid or foam, make strange noise or get abnormally hot switch off the machine immediately and take it in for a service.
- This extractor should **NEVER** be immersed in water.
- **DO NOT** use solvent or strong detergents to clean this machine.
- When using warm water for upholstery/carpet cleaning the water temperature **MUST NOT EXCEED 60°C**
- Store the machine, well cleaned, in a cool and dry place.

WARNINGS:

- All the electrical repairs must be performed by qualified personal only!
- Kerrick cannot be held responsible for any damage/injury caused to persons or property, because of the incorrect use of the machine due to procedures being used which are not specified in this instruction manual.

THE CLEANING SYSTEM – INJECTION EXTRACTION

Carpets are a natural dust trap and breeding ground for germs and therefore require a professional clean from time to time.

Kerrick's hygienic and easy to use system injects water mixed with detergent into the pile of the carpet dissolving dirt and grime that has become trapped there. As the carpet is being shampooed the waste water is sucked back up into the extraction machine making for mess free, easy cleaning and quicker drying times.

To avoid causing any damage to the fibres of the carpet ensure you read and adhere to all the instructions for both the extractor machine and the chemical detergent. As a precaution always test a small area of the carpet first.

For an extra strength clean, fill the tank with water and detergent and spray the carpet without using any suction. Allow the solution to sit in the carpet and break down the dirt for a few minutes. Then go over the area again with the injection extraction system but this time using only clean water and **NO** detergent.

OPERATION INSTRUCTIONS FOR ELITE-SILENT

The Sabrina, Sabrina-Maxi, Serena and Grace are carpet and hard floor cleaning machines. The machines consist of a body, the hoses and the wand. Their bodies are composed of two high-density polyethylene tanks, kept together with elastic hooks. The upper tank is meant to contain the dirty water sucked from the carpet, while the lower tank is meant to contain clean water and detergent.

The lower tank also contains the vacuum motor, the brush motor and the pump. The control panel is situated on the upper tank. In the models Serena and Grace the control panel is located on the upper tank

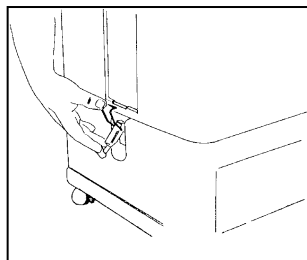
ATTENTION:

- **DO NOT** use the machine as a vacuum cleaner, unless you are using the optional NS270DUST accessory (which has filter inside it to collect the dust and protect the motor).
- **DO NOT** let the pump run without any water in it! Check periodically the level of water in the lower tank, while using the machine. As soon as it becomes empty you must switch off the machine, empty the upper tank (which then will be full) and refill the lower tank before activating the pump.
- Wool carpet must be washed with **cold water only!**

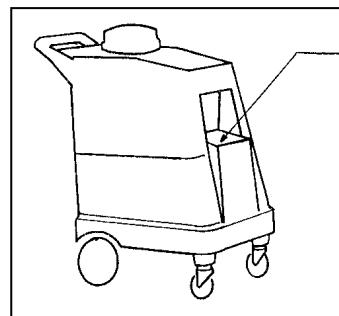
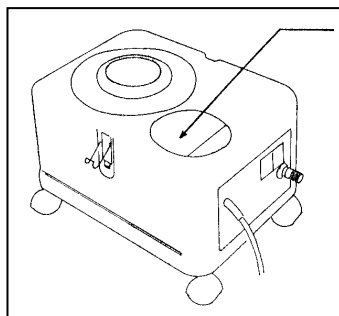
Machine Set Up

The following steps explain the necessary operations to prepare your machine for use:

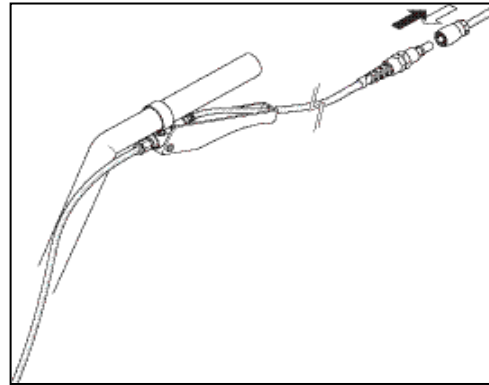
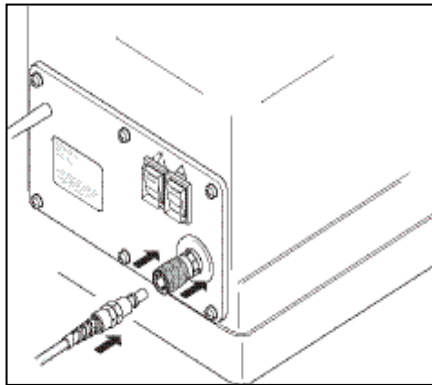
- 1) Raise the upper tank after having released it by acting on the lateral hooks (for the models Sabrina and Sabrina Maxi only).



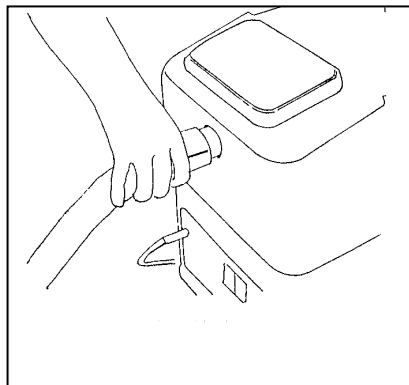
- 2) Fill the solution tank with cold or warm water, through the filling hole, adding a 5% of non-foaming detergent (1/2 liter in 10 liters). Higher concentrations may be used in case of particularly dirty surfaces.



- 3) Reconnect the upper tank to the lower tank with the lateral hooks (for the models Sabrina and Sabrina Maxi only).
- 4) Connect the machine to the wand or to the accessory with the solution and with the vacuum hoses. The quick-disconnect couplings at the end of the solution hose (the thin one) must be inserted in the correspondent couplings: one is on the body of the machine and the other one is on the water valve that you find on the wand or on the accessory handle.



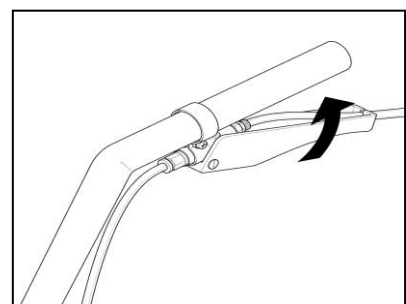
- 5) In the same way, you must connect the vacuum hose to the machine and to the accessory handle.



- 6) Put the plug of the cable in the socket (see safety regulations).
- 7) Switch on the water pump and vacuum motor through the corresponding switches. At this point the machine is ready to operate.

Washing Carpet & Hard Floors

For a routine maintenance cleaning of the carpet or floor turn on the switches for the vacuum and pump and pull the lever on the wand handle to spray the solution. Slowly drag the tool across the carpet/floor while pulling the trigger allowing the injection extraction to break down dirt and suck up the waste water into the extractor.



A second pass over the same section of carpet with the detergent trigger valve closed will remove any excess fluid not picked up on the first pass. Repeat the process over the entire carpet area, and then leave to dry with the windows open for a few hours.

If an area is particularly dirty then slow down your movements and give the machine more time to clean and extract.

For a deeper clean spray the solution onto the carpet and leave it for 2 – 3 minutes before sucking it back up, thereby allowing the detergent more time to break down the dirt.

When cleaning a large area we recommend cleaning in parallel stripes, spraying and sucking the solution at the same time. Always test in an area where any possible damage will be less visible.

Maintenance

The Sabrina, Sabrina-Maxi, Serena-Silent & Grace are commercial machines with 1 year commercial warranties against manufacturing defects. Faults due to improper use are not covered by warranty. For further details regarding warranty, contact the distributor supplying the machine or view the products warranty page on the Kerrick website.

To get the best value for money and to improve the longevity of your machine take note of the following advice:

- 1) After each use, before storing the machine, remove all the water from the solution and recovery tanks. Put a couple of liters of clean water into the solution tank and using the pump only, press the lever of the solution valve to clean the internal parts of the pump, of the couplings and nozzles, removing the detergent residues.
- 2) After every use, store the machine in a cool, dry place with the cover open, to prevent humidity and mould forming inside the recovery tank and on the internal parts of the vacuum motor, damaging it. The damage provoked by humidity that condenses on the motor (like the damage caused by the foam sucked by the motor) is not covered by warranty.
- 3) Periodically clean the water filter, extracting it from the machine and rinsing it under flowing water.
- 4) Eliminate the lime that in time deposits inside the hydraulic circuit of the machine, by putting some anti-lime solution in the solution tank and leaving it for two to three hours. Then empty the tank and rinse. You should do this every 6-8 months.
- 5) Periodically check and clean the filter of the vacuum motor, which is located under the transparent circular cover of the upper tank.
- 6) Periodically check the consumption of the carbon brushes in vacuum motor. This check should be done after 500 working hours.
- 7) For the Sabrina-Maxi, Serena-Silent and Grace, it is also necessary to check the carbon brushes of the water pump, after 500 working hours.
- 8) Worn-out carbon brushes may result in damage to the vacuum motor or pump, which are not covered by warranty. The check of carbon brushes should be done by a trained technician.

NOTE: Incorrect use or failure to follow operating and maintenance procedures may produce an injury to a person or damage to the equipment.

IF ANY ASSISTANCE IS REQUIRED CONTACT YOUR NEAREST KERRICK BRANCH, SERVICE AGENT OR DISTRIBUTOR.

➤ **NEW ZEALAND:** 0800 2 KERRICK (0800 253 774)

➤ **AUSTRALIA :** 1300 KERRICK (1300 537 742)

KERRICK SERVICING

Kerrick's workshop facilities are staffed by experienced technicians providing servicing, repair and manufacturing for a range of products including; extractors, vacuum cleaners, water blasters, pressure cleaners, pumps and more.

We work on everything from commercial and light industrial to large heavy duty equipment and offer customized design build services. We also warehouse and ship a comprehensive range of spare parts for your convenience.

For more information on your product, to book in a service or repair or to order spare parts give Kerrick a call or send through an enquiry on our website. Contact details can be seen below:

KERRICK NEW ZEALAND

**0800 2 KERRICK (0800 253 774)
SALES@KERRICK.CO.NZ
WWW.KERRICK.CO.NZ**

KERRICK AUSTRALIA

**1300 KERRICK (1300 537 742)
SALES@KERRICK.COM.AU
WWW.KERRICK.COM.AU**