



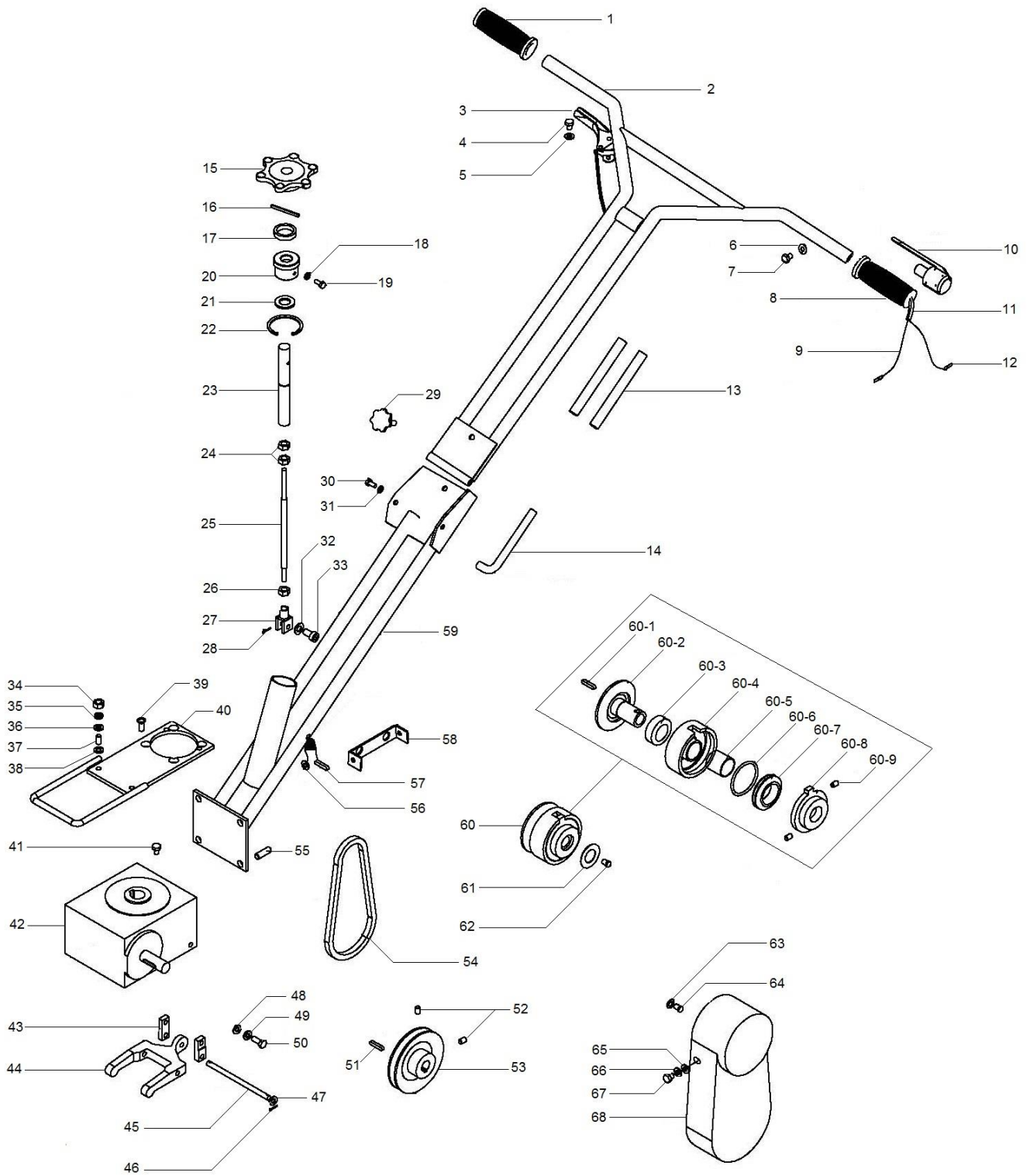
SPARE PARTS MANUAL

Flextool Walk Behind Power Trowel FP424



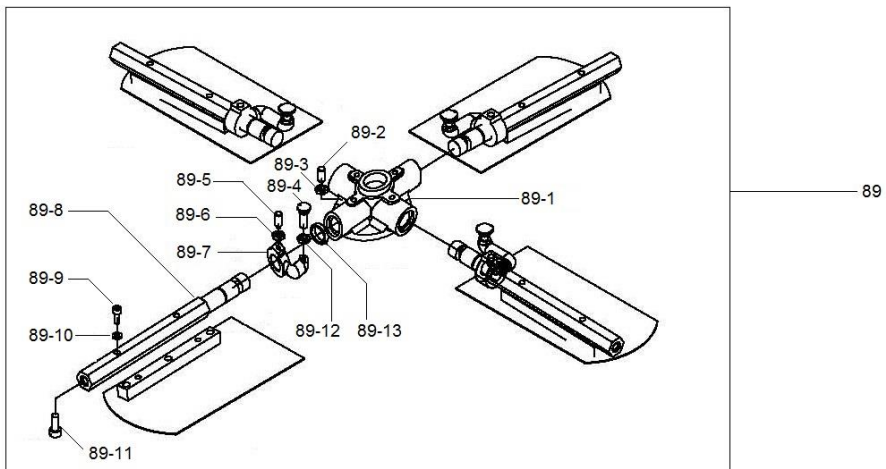
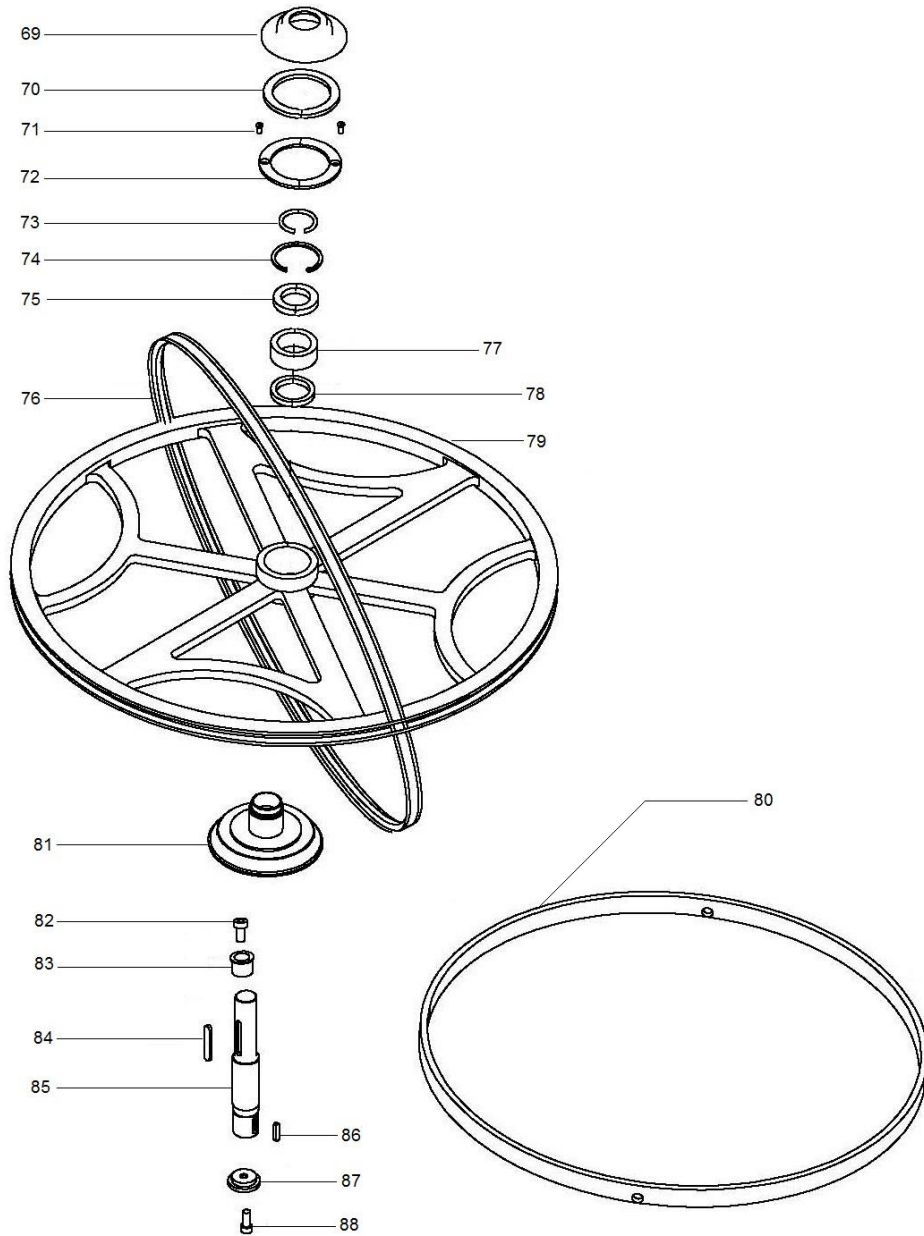
(All Models)

F03424



| Item No. | Product Code | Description | Qty | Remarks |
|----------|--------------|--------------------------------------|-----|--------------------------|
| 1 | FTP1165002 | FLX RIGHT GRIP WITHOUT SCREW HOLE | 1 | |
| 2 | FTP1165100 | FLX UPPER HANDLE FP424 | 1 | |
| 3 | FTP4365400 | FLX ENGINE THROTTLE CONTROL ASSEMBLY | 1 | |
| 4 | FTP9080 | FLX BOLT | 1 | |
| 5 | FTP9011 | FLX WASHER | 1 | |
| 6 | FTP9128 | FLX SPRING WASHER | 1 | |
| 7 | FTP9080 | FLX SCREW | 1 | |
| 8 | FTP1165001 | FLX LEFT GRIP WITH SCREW HOLE | 1 | |
| 9 | | FLX SWITCH WIRE (FTP9119) | 1 | Use FTP1165200 (Item 10) |
| 10 | FTP1165200 | FLX SAFETY SWITCH ASSY | 1 | |
| 11 | | FLX PLASTIC COVER (FTP9123) | 1 | Use FTP1165200 (Item 10) |
| 12 | | FLX WIRING TERMINALS (FTP9570) | 2 | Use FTP1165200 (Item 10) |
| 13 | FTP9083 | FLX PLASTIC PIPE | 2 | |
| 14 | FTP1165005 | FLX HANDLE LOCK LEVER | 1 | |
| 15 | FTP1165006 | FLX TILT CONTROL KNOB | 1 | |
| 16 | FTP9024 | FLX SPRING PIN | 1 | |
| 17 | FTP9089 | FLX BEARING | 1 | |
| 18 | FTP9022 | FLX SPRING WASHER | 1 | |
| 19 | FTP9093 | FLX SCREW | 1 | |
| 20 | FTP1165007 | FLX BUSHING | 1 | |
| 21 | FTP1165008 | FLX WASHER | 1 | |
| 22 | FTP9124 | FLX WASHER | 1 | |
| 23 | FTP1165009 | FLX ADJUST SHAFT BUSHING | 1 | |
| 24 | FTP9091 | FLX NUT | 2 | |
| 25 | FTP1165010 | FLX ADJUST SHAFT | 1 | |
| 26 | FTP9091 | FLX NUT | 1 | |
| 27 | FTP1165011 | FLX ADJUSTER PIVOT CONNECTOR | 1 | |
| 28 | FTP9094 | FLX SPLIT PIN | 1 | |
| 29 | FTP9121 | FLX KNOB | 1 | |
| 30 | FTP9087 | FLX BOLT | 1 | |
| 31 | FTP9038 | FLX WASHER | 1 | |
| 32 | FTP9038 | FLX WASHER | 1 | |
| 33 | FTP9090 | FLX CONNECTOR PIN | 1 | |
| 34 | FTP9036 | FLX NUT | 4 | |
| 35 | FTP9037 | FLX SPRING WASHER | 4 | |
| 36 | FTP9038 | FLX WASHER | 4 | |
| 37 | FTP1164102 | FLX BOLT | 4 | |
| 38 | FTP1164005 | FLX WASHER (ENGINE SPACERS) | 4 | |
| 39 | FTP9088 | FLX SCREW | 4 | |
| 40 | FTP1164100 | FLX MOUNTING PLATE | 1 | |
| 41 | FTP4364100A | FLX RELEASE VALVE | 1 | |
| 42 | FTP1164001 | FLX GEARBOX | 1 | |
| 43 | FTP1164003 | FLX TILT MECHANISM CONNECTOR | 2 | |
| 44 | FTP1165012 | FLX YOKE ARM | 1 | |
| 45 | FTP1165013 | FLX TILT SHAFT | 1 | |
| 46 | FTP9094 | FLX SPLIT PIN | 2 | |
| 47 | FTP9038 | FLX WASHER | 2 | |
| 48 | FTP9038 | FLX WASHER | 2 | |
| 49 | FTP9037 | FLX SPRING WASHER | 2 | |
| 50 | FTP9098 | FLX BOLT | 2 | |
| 51 | FTP9100 | FLX KEY | 1 | |
| 52 | FTP9101 | FLX GRUB SCREW | 2 | |
| 53 | FTP1162003 | FLX BOTTOM PULLEY | 1 | |

| Item No. | Product Code | Description | Qty | Remarks |
|----------|--------------|------------------------------------|-----|--------------------------|
| 54 | FTP9102 | FLX V-BELT | 1 | |
| 55 | FTP9901 | FLX BOLT | 4 | |
| 56 | FTP9122 | FLX WIRE TERMINAL | 1 | |
| 57 | FTP9012 | FLX WIRE TERMINAL | 1 | |
| 58 | FTP1162001 | FLX BELT COVER MOUNTING PLATE | 1 | |
| 59 | FTP1165300 | FLX LOWER HANDLE FP424 | 1 | |
| 60 | FTP4363000 | FLX CLUTCH ASSY | 1 | |
| 60-1 | | FLX KEY (FTP9076) | 1 | Use FTP4363000 (Item 60) |
| 60-2 | | FLX SPINDLE (FTP4363001) | 1 | Use FTP4363000 (Item 60) |
| 60-3 | | FLX BEARING (FTP9075) | 1 | Use FTP4363000 (Item 60) |
| 60-4 | | FLX CLUTCH DRUM (FTP4363002) | 1 | Use FTP4363000 (Item 60) |
| 60-5 | | FLX CLUTCH BUSHING (FTP4363006) | 1 | Use FTP4363000 (Item 60) |
| 60-6 | FTP9077 | FLX CLUTCH SPRING | 1 | |
| 60-7 | FTP4363004 | FLX CLUTCH SHOE (SET OF 4) | 1 | |
| 60-8 | | FLX CLUTCH FACE PLATE (FTP4363003) | 1 | Use FTP4363000 (Item 60) |
| 60-9 | | FLX GRUB SCREW (FTP9078) | 2 | Use FTP4363000 (Item 60) |
| 61 | FTP1163001 | FLX CLUTCH RETAINER WASHER | 1 | |
| 62 | FTP9079 | FLX BOLT | 1 | |
| 63 | FTP1163002 | FLX WASHER | 2 | |
| 64 | FTP9096 | FLX SCREW | 2 | |
| 65 | FTP9038 | FLX WASHER | 2 | |
| 66 | FTP9037 | FLX SPRING WASHER | 2 | |
| 67 | FTP9097 | FLX SCREW | 2 | |
| 68 | FTP1162002 | FLX BELT GUARD | 1 | |
| | | | | |



| Item No. | Product Code | Description | Qty | Remarks |
|----------|--------------|----------------------------|-----|------------------------------|
| 69 | FTP1166005 | FLX PRESSURE PLATE COVER | 1 | |
| 70 | FTP9120 | FLX SPACER | 1 | |
| 71 | FTP9105 | FLX SCREW | 2 | |
| 72 | FTP1166006 | FLX SPACER | 1 | |
| 73 | FTP9107 | FLX SPACER | 1 | |
| 74 | FTP9108 | FLX RETAINER | 1 | |
| 75 | FTP9106 | FLX BEARING | 1 | |
| 77 | FTP9110 | FLX BEARING | 1 | |
| 76 | FTP1167002 | FLX RUBBER BELT | 1 | |
| 78 | FTP9111 | FLX BEARING | 1 | |
| 79 | FTP1167001J | FLX MAIN EDGING RING | 1 | |
| 80 | FTP1166004 | FLX BLADE ARM SUPPORT RING | 1 | |
| 81 | FTP1166007 | FLX PRESSURE PLATE | 1 | |
| 82 | FTP9104 | FLX BOLT | 1 | |
| 83 | FTP1166008 | FLX BUSHING | 1 | |
| 84 | FTP9109 | FLX KEY | 1 | |
| 85 | FTP1164006 | FLX MAIN SHAFT | 1 | |
| 86 | FTP9100 | FLX KEY | 1 | |
| 87 | FTP1166009 | FLX RETAINER BUSHING | 1 | |
| 88 | FTP9118 | FLX BOLT | 1 | |
| 89 | FTP1166000A | FLX SPIDER PLATE ASSY | 1 | Excludes Blades & 89-9,10,11 |
| 89-1 | FTP1166001 | FLX SPIDER PLATE | 1 | |
| 89-2 | FTP9113 | FLX SCREW | 4 | |
| 89-3 | FTP9112 | FLX NUT | 4 | |
| 89-4 | FTP91115 | FLX TILT BOLT | 4 | |
| 89-5 | FTP9114 | FLX TILT ARM LOCK BOLT | 4 | |
| 89-6 | FTP9112 | FLX NUT | 4 | |
| 89-7 | FTP1161002 | FLX TILT ANGLE ARM | 4 | |
| 89-8 | FTP1166003 | FLX TROWEL ARM | 4 | |
| 89-9 | FTP9117 | FLX BLADE BOLT | 8 | |
| 89-10 | FTP9022 | FLX WASHER | 8 | |
| 89-11 | FTP9118 | FLX BOLT | 4 | |
| 89-12 | FTP9112 | FLX NUT | 4 | |
| 89-13 | FTP9116 | FLX O-RING | 4 | |